



**Product features:**

- Metal construction throughout
- Subtle soft sweeping design form
- 5 year limited warranty
- A modern design classic style

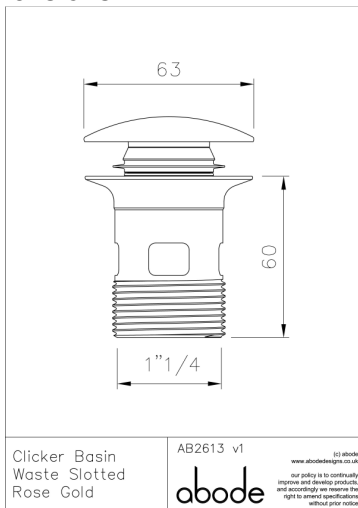
**Packaged properties:**

Box length (mm): 91      Box depth(mm): 70  
 Box width(mm): 70      Boxed weight (Kg): 0.3

Includes pop up waste?: No

Additional comments:

**Product dimensions:**



- **Product mounted where:** Surface
- **Recommended hole size:** Ø 43-55 mm
- **Overall Height / projection:** 60 mm
- **Exit reach:** N/A mm
- **Exit height:** N/A mm
- **Base size:** 63 mm
- **Inlet centre distance(s):** N/A mm
- **Min. fitting depth required:** 36-47 mm
- **Max. surface depth:**

**Product flow characteristics:**

FLOW GRAPH NOT APPLICABLE

- **Min / Max water pressure (bar):** N/A\* / N/A  
N/A
- **Part G max. mixed flow rate at 3 bar (l/m):** N/A
- **Inlet connection type / length:** N/A / N/A mm
- **Inlet (plumbing connection) / outlet size:** N/A / 1 1/4" M
- **Product flow characteristics:**  
**Non return valve(s) supplied or position:**
- **Aerator type:** N/A
- **Control valve type:** N/A ( )
- **Includes output diverter?:** N/A
- **Inlet meshed particle filters included:**
- **Shower hose type / length:** N/A / N/A

**Warranty Summary** (full details available on request):

- Materials and workmanship defects warranted for 5 years
- Valves and working parts warranted for 5 years
- Surface warranty defects warranted for 1 year
- O-rings, hoses & gaskets warranted for 1 year

**Care instructions:**

- Clean the mixers and showers regularly as required, using soap, do not use any other cleaners.
- Regular cleaning will prevent the build up of lime scale and dirt
- After cleaning rinse thoroughly with clean water to remove any cleaner residue
- Residues of liquid soaps, shampoos and shower foams can also cause damage, so rinse with clean water after using, avoid contact with any abrasives