

Composite Inset/ Undermount Sink



10 Year Warranty Terms and Conditions

In the unlikely event that you should experience any defect in the materials or workmanship of your new Abode sink within 10 years of purchase, the manufacturer will repair or replace all or any part of the product that is defective, at their discretion. The manufacturer will not be responsible for any other consequential costs such as labour, removal or reinstallation of the sink or any other connected or related products.

This is provided that the product has been used for normal domestic purposes in the UK & Eire, and that the care, installation, and maintenance instructions have been observed. The warranty extends to the original purchaser only. You should retain a copy of your dated invoice as proof of purchase to validate any claims under this guarantee.

Please note that this product is manufactured using natural materials so slight shade variations can occur. Marks, scuffs and scratches caused during installation or accidental damage are

not covered by this guarantee. Neither are stains, discolouration or corrosion or any damage or defect caused by incorrect installation or abuse of the product.

We are continuously improving and developing our range of products, finishes & colours. Therefore, in the event of a valid claim, we may not be able to provide an identical replacement for the defective product throughout the guarantee period. Where an identical product is no longer available, we will supply the nearest equivalent from our then current product range. In assessing your claim, we must be given the opportunity to inspect the product as installed prior to removal. Any product returned to us must be securely packaged and adequately insured. We will not accept responsibility for any damage caused during transportation.

No installer, dealer, agent, or employee of Abode has the authority to modify the obligations or limitations of this warranty. This warranty does not affect your statutory rights.

Care Instructions for your Kitchen Sink

To maintain the appearance of this product, ensure that it is regularly cleaned using only a clean, soft damp cloth. A solution of warm water and a mild liquid non-antibacterial detergent may be used where necessary, and then the product rinsed thoroughly and wiped dry. Any other cleaning action will invalidate your warranty.

No household or industrial chemicals should come into contact with this product to prevent damage.

To prevent staining or discolouration of the product always rinse the sink with water after use, if you live in a hard water area we suggest you also wipe the sink dry.

Repeated release of boiling hot water directly into coloured sinks can in extreme cases cause crazing and even cracking. Therefore we recommend great care is taken not to release the water directly on to the sink surface at full temperature.

Do not cut, slice or chop directly onto the sink as you may mark the surface finish. Avoid the use of plastic washing up bowls as engrained grit on the bowl underside may mark the surface finish. Avoid impacting the product with sharp or heavy objects, such as knives, pans or cooking pots and also avoid contact with abrasives. No hot objects should be placed directly onto the sink surface. Avoid contact with cycles of very hot and cold substances.

For further care and maintenance advice on removing stubborn marks and more examples of objects or actions likely to artificially shorten the life of this product please visit our website.

Parts and Contents

Description	Qty
Composite Sink	1
Overflow pipework AX1104 pack	1
Care & fitting instructions AX4049	1
Undermount Clips pack of 6 with tapex and screws AX1153	1
Inset clips, these are pre fitted to the sink AX1032	6
Basket strainer waste AX1002	1
Connecting pipework AX1008 pack	1

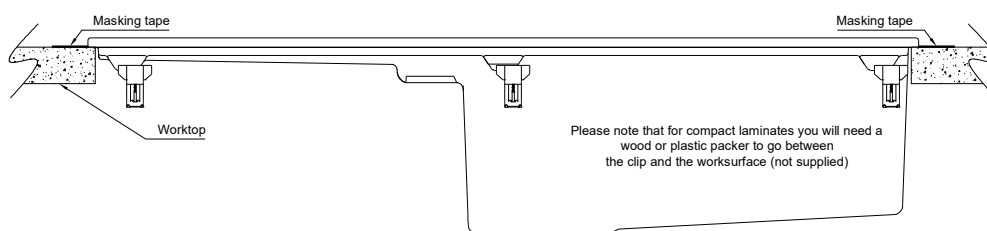
Installation Instructions

Preparation

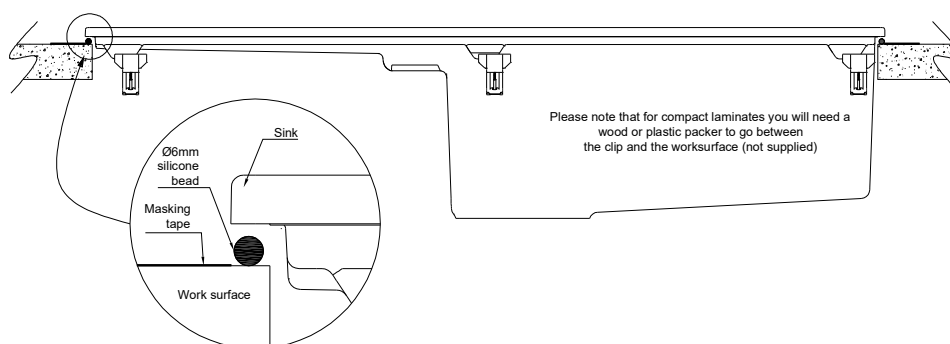
1. Take great care when handling this sink, whilst every effort has been taken to remove sharp edges, the material by nature may be sharp. We recommend wearing gloves accordingly.
2. Check the package for completeness, possible defects or any transport damage before installation commences. Installed faulty product will not be honoured by the warranty.
3. Check that the supporting carcass and worktop is level left to right and front to back to ensure correct drainage of water.
4. Check that the surrounding furniture is the correct size and shape to accept this product and that no plumbing or wiring may foul the installation.
5. If replacing an existing sink, remove this product and clean the surrounding area, ensure the new sink will suit the existing cut out size and position.
6. You will need a spirit level, pencil, jigsaw or router, crosshead screwdriver, small adjustable spanner and an 6mm A/F Allen key or hex bar.

Installation – Inset

1. Before creating the cut out in the worktop, carefully plan the positioning of the sink. Ensure that the position of the bowl(s), tap and overflows will not interfere with surrounding units or appliances. The cutout details are published on the included specification sheet and are available www.abode.eu
2. Carefully mark out the cut out using the provided technical drawing.
3. Create the sink cut out in the worktop using a router or CNC cutter, follow the manufacturer's instructions taking care not to chip, crack or scratch the worktop. If preparing the cut out in situ cover any open pipework to avoid any debris contaminating the water supply feeds
4. Install the tap to the worktop according to the manufacturer's instructions. Ensure the tap is secure as later access may be obstructed by the sink or plumbing. We recommend using long flexible tap connectors to help.
5. If the required use a waterproofing primer or compound to seal the edge of the worksurface and allow to dry before proceeding.
6. Offer the sink into the cut out and tape around the perimeter as shown below.
7. **Please note that the inset clips only adjust from 32 to 50mm so if you intend to use a compact laminate which are typically 12mm thick then pre-cut some wood or hard plastic to 12 x 25 x 50mm to make up the fixing gap.**



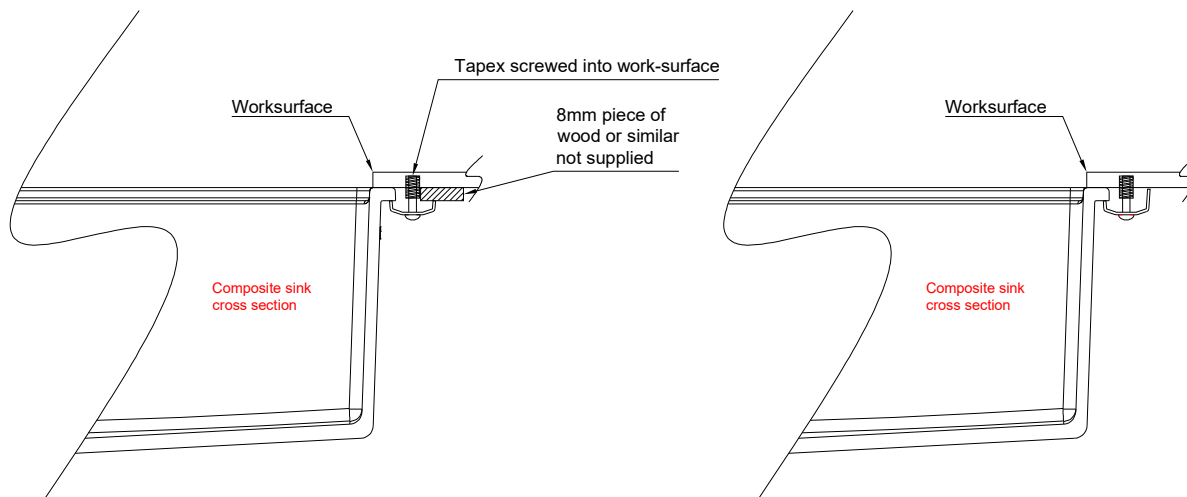
8. Lift the sink and apply a continuous Ø6mm bead of sanitary grade quality silicone under the rim all around the perimeter of the sink.



9. Lower the sink into position, excess silicone will push out onto the masking tape.
10. Tighten the six inset clips. Please note that some of the longer sinks may have a slight camber, this is normal, and it will pull straight when tightening the inset clips. Carefully remove the masking tape taking care to contain the excess silicone.
11. Wet your finger with water and weak detergent mix and run your finger around remaining silicone to get a smooth finish.
12. Allow the silicone to cure for the required time.
13. Wet your finger with water and weak detergent mix and remove the excess silicone.

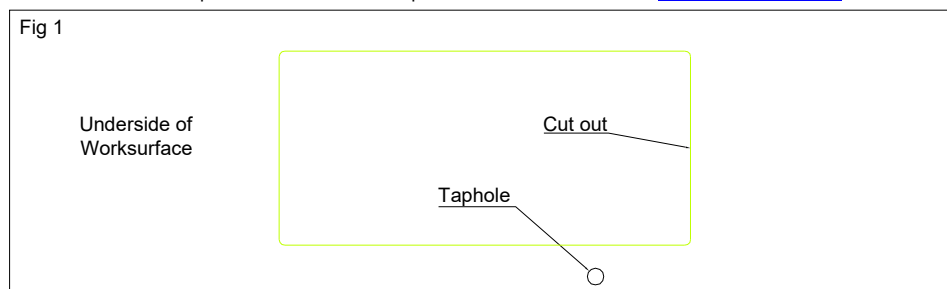
Installation – Undermount

Please note - there are two types of clip available, please use the illustration below as a guide to fit both types of clip.

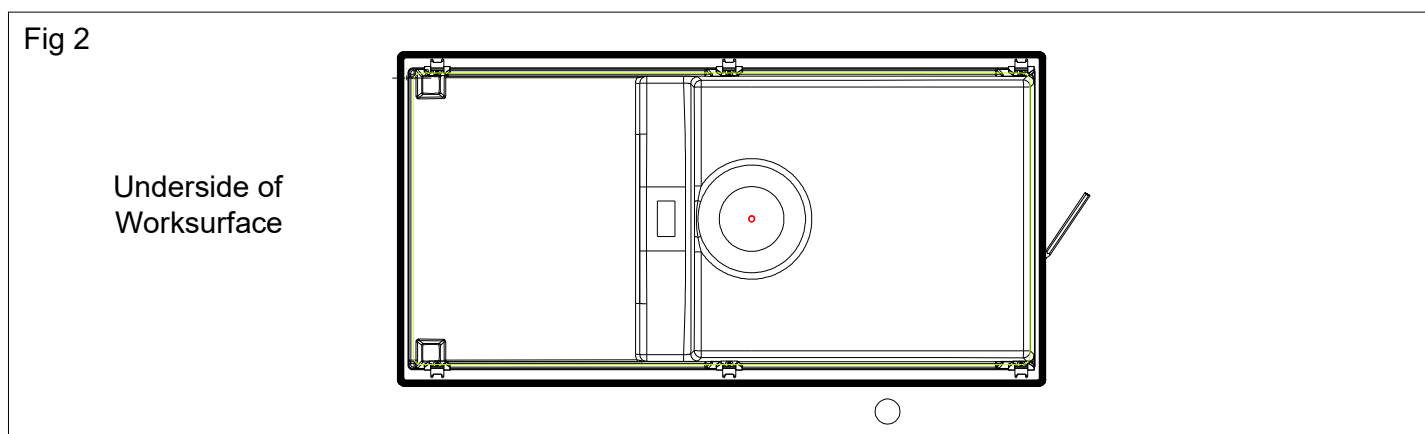


Important note

1. Before creating the cut out in the worktop, carefully plan the positioning of the sink. Ensure that the position of the bowl(s), tap and overflows will not interfere with surrounding units or appliances. Ensure you allow room for the tap. The cutout details which are published on the specification sheet at www.abode.eu.



2. Place the sink upside down on the work surface (which is also upside down)
3. Position the sink where required and draw a line around the perimeter of the sink, as in fig 2



4. Position, mark drill and fit the tapex fixings. (As shown in fig 3)

Important note –

When fixing under-mount tapex's to a work-surface it is advisable to 'test drill' a scrap piece of your work-surface and attempt to fix the tapex insert into the work-surface material before you proceed with the sink installation. Typically, the harder the material the larger the hole will need to be, softer material like wood will require a smaller hole.

The OD of the tapex thread is 10.62mm.

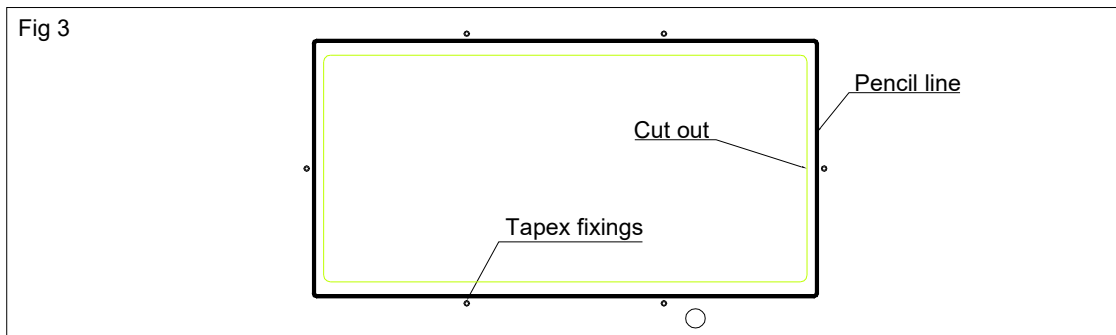
Work-surface materials do vary in hardness depending on the type of material and supplier thus it is the installers responsibility to decide as to the size of hole to be drilled.

If it is found that the tapex will not screw to the material because it is too hard then drill a larger diameter hole than the tapex, approximately $\varnothing 11\text{mm}$ and use an epoxy adhesive to bond the tapex in place. The depth of the hole is determined by the thickness of the work-surface.

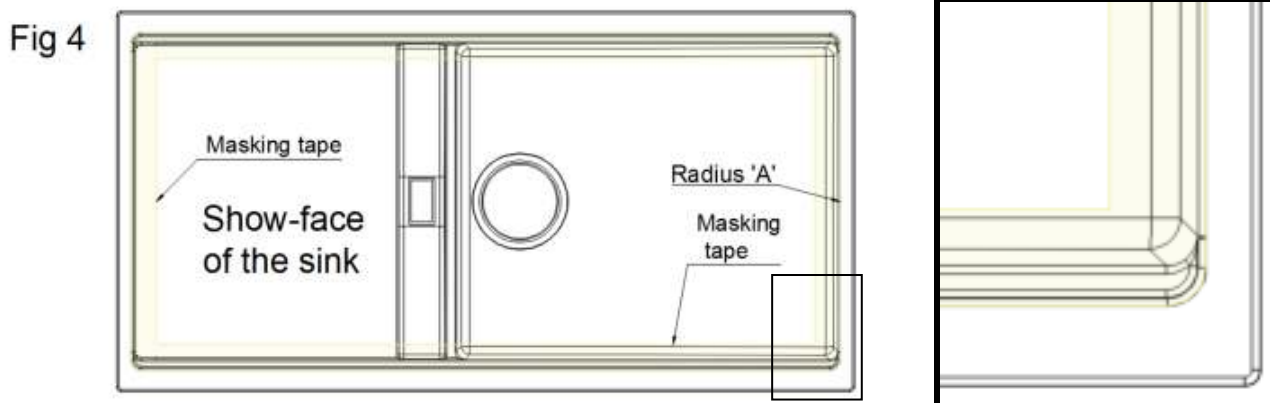
Before you proceed make sure hole depth is deep enough to accept the supplied 30mm screws whilst allowing clearance for the sink trim (10mm).

Please Note - With some compact laminates it will be necessary to cut down the screw because the tapex does not go deep enough into the 12mm laminate, customers are advised to carry out a dry test fixing to ensure the screw will tighten sufficiently before proceeding with silicone stage of the installation.

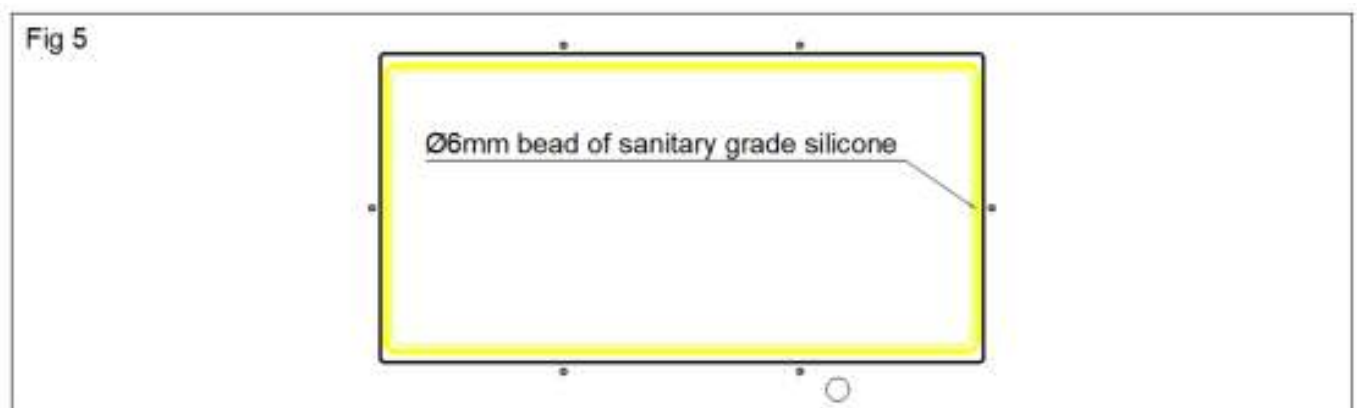
All details are provided in good faith and within tolerances of the manufacturers process.



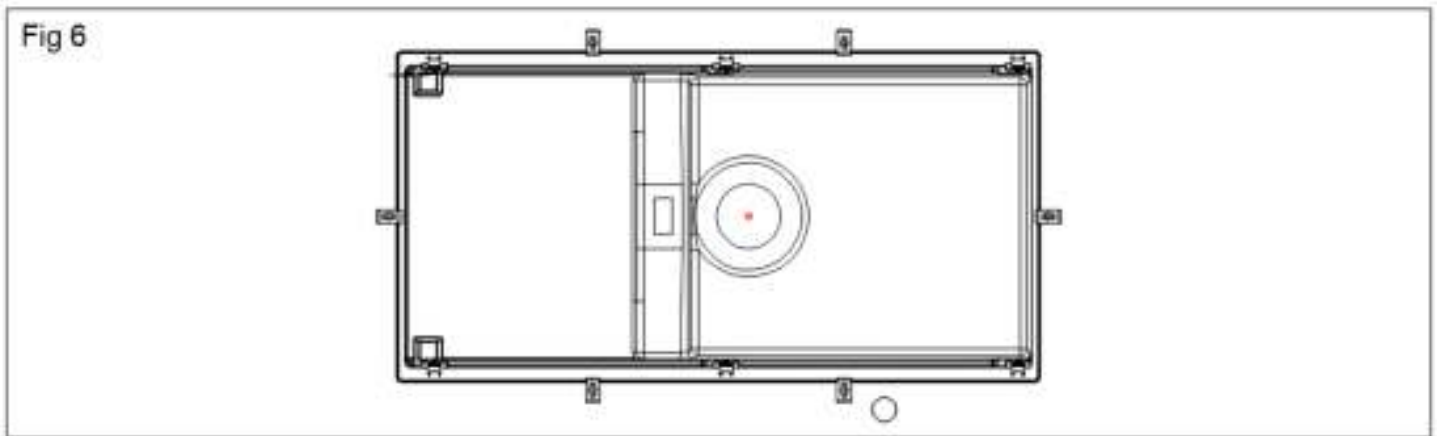
5. Lift off the sink and mask around radius 'A' on the show-face of the sink (As shown in fig 4), do not allow any sharp metal objects to come into contact with the sink surface.



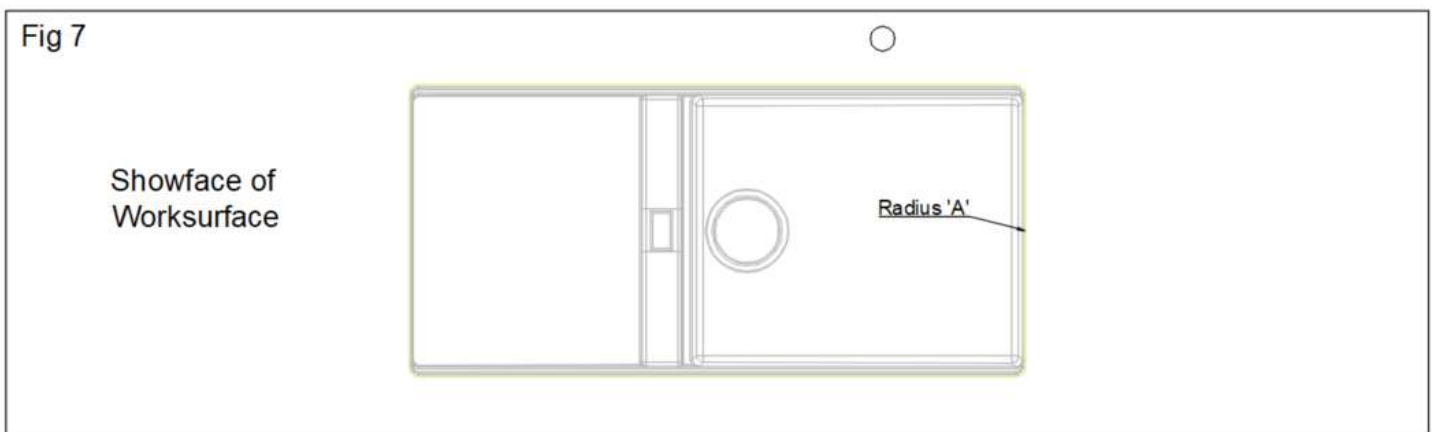
6. Silicone between the pencil line and the edge of the cut out.



7. Position the sink show-face down and align the edge of the sink with the pencil line on all sides, fix the clips in position using the 30mm dome head screws and tighten down.



14. Turn over the work surface and sink, wet your finger with water and weak detergent mix and remove the excess silicone, re-wet your finger each time you remove any silicone from your finger.



15. Carefully remove the masking tape taking care to contain the excess silicone.
16. Wet your finger with water and weak detergent mix and run your finger around remaining silicone to get a smooth finish to Radius 'A'
17. Allow the silicone to cure for the require time.

After installation

1. Clean the sink using the attached care advice ready for use.
2. Check the sink is flat to the worktop, straight and level; pour a small amount of water onto the drainer (if applicable) to check for drainage.
3. Close the plug(s) in all bowls, fill the sink with water below the overflow and check the water does not leak through or around the waste(s).
4. Close the plug(s) in all bowls fill the sink with water above the overflow, check the water exits though the overflow and does not leak from the overflow system.
5. Open the plug(s) and let water drain from the bowls, check the connecting pipework does not leak. If the sink is not to be used for a period after installation, cover the sink and tap to protect them from accidental damage during further surrounding installation work.
6. We recommend once fully set, the silicone seal should be checked for water tightness and rechecked periodically.

Important Technical Data

Whilst every effort has been made to make these instructions comprehensive, they may not be exhaustive, and we strongly recommend that this product is installed by a skilled professional. This will ensure the best possible finished installation.

This product is made from a mixture of acrylic resin and aggregate particles for the greatest possible durability, after the end of the lifecycle of this product it should be disposed of responsibly.

Earth bonding: under current IEE regulations there is no statutory requirement to earth bond sinks as most new wiring installations are protected with an RCD. If you are unsure whether your wiring is protected by an RCD, contact a qualified electrician.

Maximum temperature 280°C* Note: If this temperature is exceeded, even for short periods, damage to the finish can result.

Waste disposers should be mounted in such a way that the weight of the unit is supported by the kitchen cabinet carcass, not just the sink. Faulty or damaged waste disposal units can cause vibration – this will damage the sink and can loosen connecting pipework or fixings causing water leaks.

All Abode products are designed in accordance with recognised European or global standards. Please ensure that your Abode product is fitted in accordance with localised legislation.

The installation should be periodically checked for damage to water sealing parts as described in the instructions to avoid accidental water damage.

A full technical specification, Declaration of performance (DoP) and copies of these instructions are available for this product on our website. Please see www.abodedesigns.co.uk Abode is a registered trademark of Abode.



CAUTION: this product and its components can contain sharp edges, you must handle the product using suitable protective gloves during its installation, if cutting tap holes wear a suitable mask and eye protection.

Manufacturers Product Reference



Norcros Group (Holdings) Ltd.
T/A Abode
Ladyfield House, SK9 1BU, UK

www.abodedesigns.co.uk

Production year: See product label

"Abode DoP"

Product code: See product label

Preparation of food, washing of dishes and discharge of domestic wastewater.

EN 13310

CA - DA

©Abode
AX4049 v1 09/2023

abode

Unit L, Zenith Park, Whaley Road, Barnsley, S75 1HT.
Tel: 01226 283434 Fax: 01226 282434

www.abodedesigns.co.uk

All errors and omissions excepted.

Please retain these instructions with the sink for future reference