

Important Technical Data:

Supply pipes should maintain the maximum diameter until immediately before the fitting.

Hot and cold supply pressures should be as closely balanced as possible for best results. Where pressures are greatly imbalanced flow restricting valves or pressure reducing valves should be installed on the supply with the greater incoming pressure.

Abode products are either WRAS approved or manufactured in accordance with recognised European standards. Please ensure that your Abode product is fitted in accordance with Local Water Byelaws. Where hot and cold water mix within any product, then suitable non return valves should be installed to the hot and cold supplies to prevent backflow.

Whilst assembling this product take care not to accidentally loosen any screwed assemblies. PTFE tape can be used to ensure watertight joins on threaded connections, do not over tighten connections or allow pipes to be twisted or folded.

The installation should be periodically checked for damage, if the property is left unattended for a prolonged period we recommend isolating water supplies.

⚠ Correct use of flexible hose connectors

This product is supplied with flexible hose connections for ease of fitting, failure to observe these standard installation guidelines will invalidate the warranty for your product.

	<p>Before assembling the hose to the product ensure the hose has been crimped (as highlighted) on both ends of the hose after the braided casing.</p>	<p>The braiding on the flexible hose must not be in contact with any scarcely aggressive chemicals, internal or external room floors or dissimilar metals or materials.</p>
	<p>Always screw the flexi hoses into the product only by hand until feeling mechanical rest, a spanner must not be used on the product connecting end of the hose.</p> <p>Always use the pipes provided.</p>	<p>Observe the minimum bend radius of 50mm, hoses must not be kinked or looped.</p> <p>Hoses must not be double bent in multiple directions.</p>
	<p>Never twist or stretch the flexible hose during installation.</p> <p>Do not overtighten the hexagonal end of the hose when using a spanner causing the hose to twist.</p>	<p>Both ends of the hose must have a minimum 50mm straight section before any bend.</p>

Bath filler & BSM extension legs

5 Year Warranty Terms & Conditions:

In the unlikely event that you should experience any defect in the materials or workmanship of your new Abode product within FIVE years of purchase, the purchaser's sole remedy shall be the replacement (at the manufacturer's discretion) of all or any part of the product that is defective. Valves are guaranteed for a period of FIVE years from purchase. Decorative surface finishes and O-rings are guaranteed for ONE year from the date of purchase provided that our advice concerning care has been observed and no scouring agents have been used.

This is provided that the product has been used for normal domestic purposes in the UK and that the care, installation and maintenance instructions have been observed. The warranty extends to the original purchaser only. You should retain a copy of your dated invoice as proof of purchase to validate any claims under this warranty.

Marks and scratches caused by improper installation or accidental damage are not covered by this guarantee. Neither are shade variations or any damage or defect caused by incorrect installation or abuse of the fitting.

Product Care Instructions:

To maintain the appearance of this product, ensure that it is regularly cleaned only using a clean, soft damp cloth. A solution of warm water and a mild liquid detergent may be used where necessary, and then the fitting rinsed thoroughly and wiped dry. Any other cleaning action or cleaning products will invalidate your warranty.

Abrasive cleaners, scouring cleaners, limescale cleaners and acidic cleaners **must not be used** under any circumstances. Avoid contact with all solvents (including chlorinated solvents, ketones or acetones as these may result in surface deterioration or etching). Also avoid contact with any harsh household chemicals such as bleach cleaners, drain cleaners, rust removers, paint strippers and toilet bowl cleaners, toothpaste, mouthwash, bar keepers friend or Brasso.

As we are continuously improving and developing our products range, finishes & colours, in the event of a valid claim, we may not be able to provide an identical replacement for the defective product throughout the warranty period. Where an identical product is no longer available, we will supply the nearest equivalent from our then current product range. In assessing your claim, we must be given the opportunity to inspect the product as installed prior to removal. Any product returns must be packaged carefully as received and complete.

No other warranties, express or implied, are made, including merchantability or fitness for a particular purpose. Under no circumstances shall the manufacturer be liable for any loss or damage arising from the purchase, use or inability to use this product, or for any special, indirect, incidental or consequential damages. No liability is accepted for consequential damage to other household fixtures, fittings or furnishings arising from this claim, even if attached to the product. No installer, dealer, agent or employee of Abode has the authority to modify the obligations or limitations of this warranty.

abode

abode

Please leave these instructions for your customer.

Manufacturers Reference

©Abode 1/2018

Unit L, Zenith Park, Whaley Road, Barnsley, S75 1HT.
Tel: 01226 283434 Fax: 01226 282434 www.abode.eu

Installation Preparation:

All parts should be removed from their packaging and inspected for any transport damage and completeness prior to installation; you should read these instructions throughout before commencing installation.

We do not accept responsibility for problems that may occur through improper installation. Always ensure you have sufficient hot and cold water pressure available to allow correct function before specifying or installing this product.

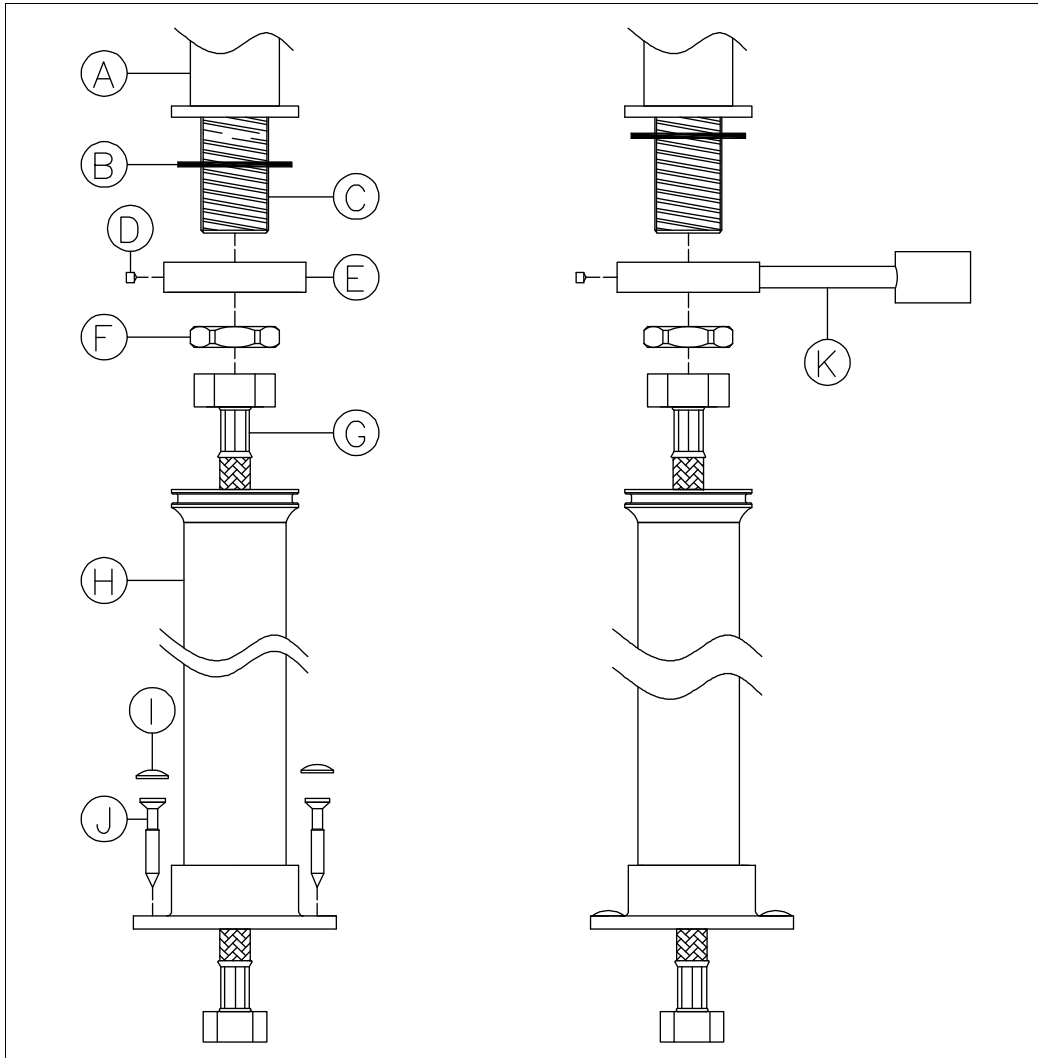
We strongly recommend installing particle filters and isolation valves to both the hot and cold feed pipes in an accessible position. This will help to prevent premature failure of the valves and ease any future maintenance.

Shut off your water heating system and ensure that your mains stopcock is closed. Ensure both the hot and cold water supplies are isolated before commencing installation.

It is recommended to roughly position where the controls will be located for the centre locations before preparing the tap holes.

Layout the tap relative to the bath and mark the mounting position relative to the bath.

Installation Guidance:



Key	Description	Qty.	Key	Description	Qty.
A	Bath filler / BSM body & base plinth	0	G	3/4" x 1/2" Flexi tail (captive seals)	2
B	Lower seal	0	H	Extension column (662mm)	2
C	Threaded inlet (3/4")	0	I	Dust caps	6
D	Grub screw (2mm Allen key)	2	J	Floor screws & plugs	6
E	Column plinth (Ø56mm x 12mm)	2	K	Handshower bracket	1
F	Brass fixing nut	2			

Installation Instructions:

1. Loosen grub screws (D) using a 2mm Allen key and remove column plinths (E) and fixing nuts (F) from extension columns (H).
2. If fitting to a bath filler slide both column plinths (E) over threaded inlets (C) as shown. If fitting a BSM use handshower bracket (K) as shown.

Note: The base plinth on the chosen bath filler base plinth (A) and seal (B) can be still used as shown above, but this can also be omitted dependant on model.

3. Using fixing nuts (F) fasten column plinths (E) or handshower bracket (K) onto threaded inlets (C).

Note: Make sure grub screws (D) on column plinths (E) are facing backwards before tightening fixing nuts (F).

4. Pass flexi tails (G) through extension column (H) as shown making sure the 3/4" nut is at the top. Once through fasten to threaded inlet (C) as shown using an adjustable basin spanner or similar. Note: Make sure captive seals are present in flexi tails (G).
5. Once connected place column plinth (E) over top section of extension column (H) and fix by tightening grub screw (D) at the rear.
6. Connect the hot and cold feed pipes to the 1/2" nut on flexi tail (G) using the appropriate sized 1/2" compression fittings (not supplied).
7. Once connected test the connections for any leaks. To do this firstly make sure that the handles on the mixer are in the off position. Turn the water on and check the connections on flexi tails (G) for any leaks.
8. Establish the diameter of the holes required for the floor plugs (J) (typically 6 or 8mm).
9. Carefully drill the holes for the floor plugs (J) using a drill bit suitable to the floor surface, using a detector ensure not to drill into plumbing or electrical systems that may be embedded in the floor.
10. Firmly push the wall plugs (J) into the fixing holes.
11. Screw the extension columns (H) to the floor with screws (J) with a screwdriver. Note: Make sure that flexi tails (G) do not become twisted or loose during this process. (Please refer to flexi tails drawings on the back page).

After installation:

Once you have visually checked the installation of the new product and all connections, ensure that all other fittings are closed except the new product which should be left open. Turn on your water heating system and ensure that your mains stopcock is open. Reconnect both the hot and cold water supplies to this fitting.

Check the function of flow and function of hot, cold and mixed water, where possible check the function of the thermostatic valve maximum temperature, and shut off function by interrupting the cold water source during use.

Turn off the product and check carefully for any leaks around all connections on the fitting and adjoining plumbing. If possible return to the installation after a longer period to double check for slower leaks. If pressure testing equipment is available check the installation to the maximum recommended pressure.

Clean the product to remove any marks created during installation as instructed, now cover the product to protect the finish until it is ready for use.