

Product features:

- Metal construction throughout
- Thermostatic valve for safety & comfort
- 3 exit control for output to 1 x showerhead, 1 x shower & 1 x bath
- Freshly designed contemporary blend
- 5 year limited warranty

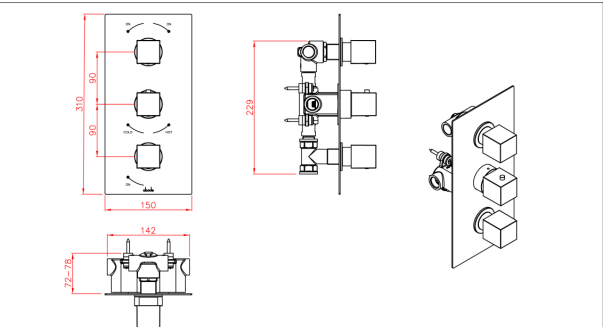
Packaged properties:

Box length (mm): 355	Box depth(mm): 150
Box width(mm): 205	Boxed weight (Kg): 4.8

Includes pop up waste?: No

Additional comments:


Product dimensions:



- **Product mounted where:** Wall
- **Recommended hole size:** 200 x 260 mm
- **Overall Height / projection:** 63 (max) mm
- **Exit reach:** N/A mm
- **Exit height:** N/A mm
- **Base size:** 150 x 310 mm
- **Inlet centre distance(s):**

Euphoria
Thermostatic 3 Exit Concealed Shower
(Zeal)

AB4571 v1

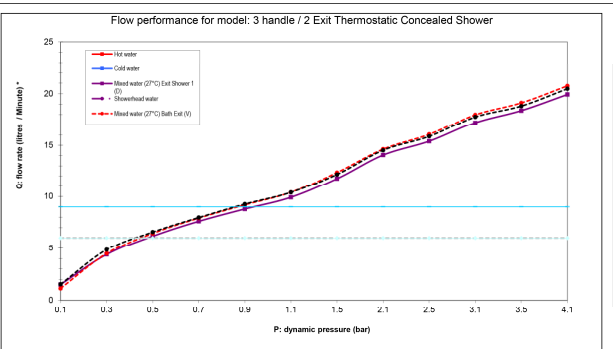


our policy is to continually improve and develop products, and accordingly we reserve the right to amend specifications without prior notice.

(c) abode
www.abode.eu

- **Min. fitting depth required:** 72-78 mm 10 mm
- **Max. surface depth:** n/a

Product flow characteristics:



note 1: Hot water temperature = 27.65°C

note 2:

© abode, not to be reproduced without prior permission. *Flow rate data shown is correct at the time of testing, abode reserve the right to amend specification without prior notice. Min. Flow rates according to NHBC

- **Min / Max water pressure (bar):** 0.50* / 5.00
*Detailed minimum pressure requirements for this product: Shower 0.5, Bath 0.9 (bar)
- **Part G max. mixed flow rate at 3 bar (l/m):** 17.99
- **Inlet connection type / length:** Fixed / n/a mm
- **Inlet (plumbing connection) / outlet size:** 1/2" F / 1/2" F
- **Product flow characteristics:** N/a
- **Non return valve(s) supplied or position:** h&c inlets
- **Aerator type:** N/a
- **Control valve type:** Thermostatic and diverter (8-20)
- **Includes output diverter?:** Yes
- **Inlet meshed particle filters included:** 0.60 mm
- **Shower hose type / length:** N/A / N/A

<p>Warranty Summary (full details available on request):</p> <ul style="list-style-type: none"> • Materials and workmanship defects warranted for 5 years • Valves and working parts warranted for 5 years • Surface warranty defects warranted for 1 year • O-rings, hoses & gaskets warranted for 1 year 	<p>Care instructions:</p> <ul style="list-style-type: none"> • Clean the mixers and showers regularly as required, using soap, do not use any other cleaners. • Regular cleaning will prevent the build-up of lime scale and dirt • After cleaning rinse thoroughly with clean water to remove any cleaner residue • Residues of liquid soaps, shampoos and shower foams can also cause damage, so rinse with clean water after using, avoid contact with any abrasives
---	--