



**Product features:**

- Metal construction throughout
- A modern design classic style
- Single lever control for effortless single handed control
- Fixed spout to prevent accidental water damage
- Luscious European quality chromium plate finish

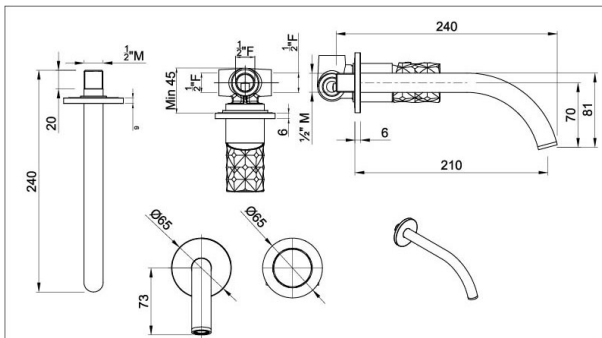
**Packaged properties:**

Box length (mm): 390      Box depth(mm): 100  
Box width(mm): 140      Boxed weight (Kg): 1.48

Includes pop up waste?: No

Additional comments:

**Product dimensions:**

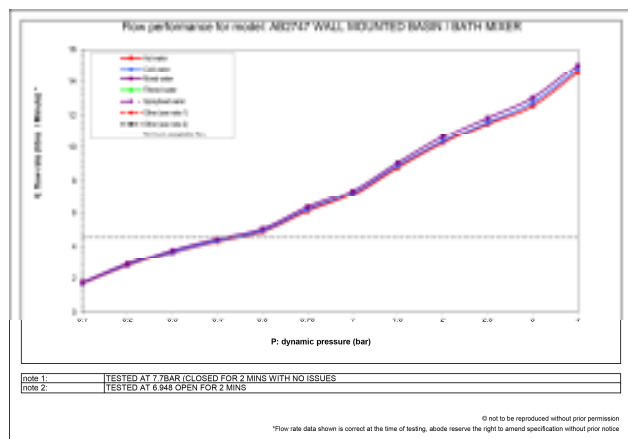


KITE  
Wall Mounted 2 Part  
Basin & Bath Mixer

AB2747 & AB2748 v1  
(c) abode home products ltd  
www.abode.eu  
our policy is to continually  
improve and develop products,  
and accordingly we reserve the  
right to amend specifications  
without prior notice.

- Product mounted where: Wall
- Recommended hole size:
- Overall Height / projection: 240.5 mm
- Exit reach: 175 - 210 mm
- Exit height: 60 mm
- Base size: 65 mm
- Inlet centre distance(s): NA mm
- Min. fitting depth required: N/A mm
- Max. surface depth:

**Product flow characteristics:**



- Min / Max water pressure (bar): 0.75\* / 5.00
- Part G max. mixed flow rate at 3 bar (l/m): 11.85
- Inlet connection type / length: Fixed / N/A mm
- Inlet (plumbing connection) / outlet size: 1/2" F / 1/2" F
- Product flow characteristics: Single Flow  
Non return valve(s) supplied or position: N/A
- Aerator type: Cache TT
- Control valve type: Single lever (35mm)
- Includes output diverter?: N/A
- Inlet meshed particle filters included:
- Shower hose type / length: N/A / N/A

**Warranty Summary** (full details available on request):

- Materials and workmanship defects warranted for 5 years
- Valves and working parts warranted for 5 years
- Surface warranty defects warranted for 1 year
- O-rings, hoses & gaskets warranted for 1 year

**Care instructions:**

- Clean the mixers and showers regularly as required, using soap, do not use any other cleaners.
- Regular cleaning will prevent the build-up of lime scale and dirt
- After cleaning rinse thoroughly with clean water to remove any cleaner residue
- Residues of liquid soaps, shampoos and shower foams can also cause damage, so rinse with clean water after using, avoid contact with any abrasives