



Product features:

- Adjustable to suit various thickness of wall
- Choice of inlet direction (left or right)
- Slimline profile
- Custom designed for lower range pressures
- Luscious European quality chromium plate finish

Packaged properties:

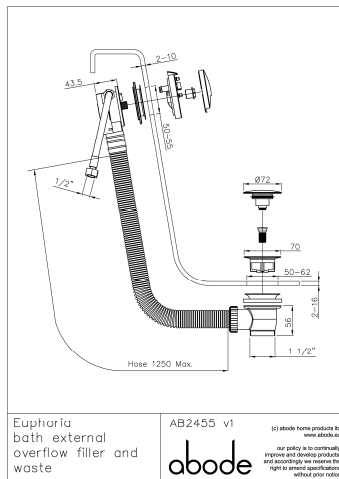
Box length: 500 mm **Box depth:** 80 mm
Box width: 210 mm **Boxed weight:** 0.98 kg

Includes pop up waste?: No

Additional comments:

Includes plastic installation key tool, 1250mm cut to length overflow pipe

Product dimensions:



Euphoria bath external overflow filler and waste

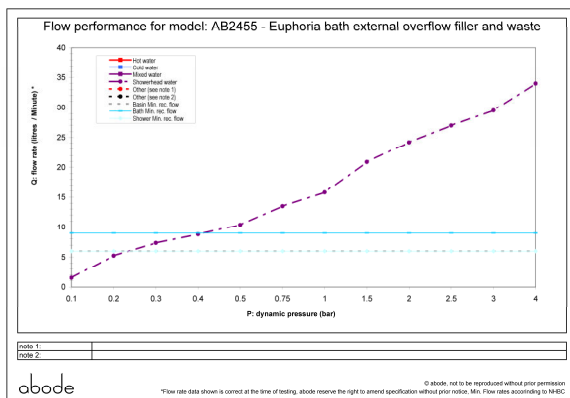
AB2455 v1

abode

(c) Abode Home Products Ltd
 our policy is to continually improve and develop products, and accordingly we reserve the right to amend specifications without prior notice

- **Overall Height / projection:** 27mm mm
- **Exit reach:** N/A mm
- **Exit height:** N/A mm
- **Centre distance(s):** N/A mm
- **Base diameter(s):** 85 mm
- **Product mounted where:** Surface
- **Recommended hole diameter:** dia. 50-55 (overflow), 50-62 (waste) mm
- **Min. fitting depth required:** 45 mm
- **Max. surface depth:** 10 (overflow), 16 (waste) mm

Product flow characteristics:



- **Min / Max water pressure:** 0.4 / 5 bar
- **Part G mixed flow rate at 3 bar (l/m):** 29.5

- **Max water temperature:** 70° C
- **Product flow characteristics:** N/A
- **Aerator type:** N/A
- **Includes output diverter?:** N/A
- **Control valve type:** N/A (N/A)
- **Non return valve position:** yes, in body
- **Mesh particle filter size:** N/A
- **Inlet / outlet size:** 1/2" F / 3/8" F
- **Inlet type / length:** Flexi / 200 mm
- **Shower hose type / length:** N/A / N/A

Warranty Summary (Full details available on request):

- Materials and workmanship defects warranted for 5 years
- Valves and working parts warranted for 5 years
- Surface warranty defects warranted for 1 year
- O-rings, hoses & gaskets warranted for 1 year

Care instructions:

- Clean the mixers and showers regularly as required, using soap, do not use any other cleaners.
- Regular cleaning will prevent the build up of lime scale and dirt
- After cleaning rinse thoroughly with clean water to remove any cleaner residue
- Residues of liquid soaps, shampoos and shower foams can also cause damage, so rinse with clean water after using, avoid contact with any abrasives